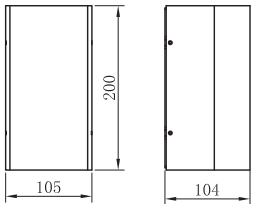
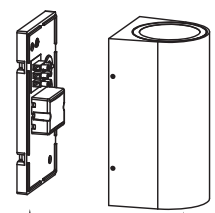
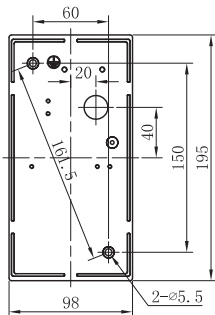
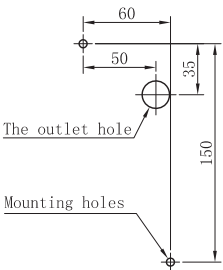


# Mounting Instruction

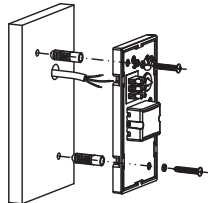

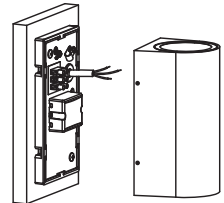
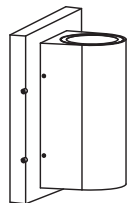
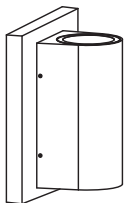


## Product Parameters

	<ol style="list-style-type: none"> <li>1. Model: B-003097</li> <li>2. Rated Voltage: AC 100-240V</li> <li>3. Rated Power: LED 12W</li> <li>4. IP Grade: IP65</li> <li>5. Insulation protection level: Class I</li> <li>6. Operating Temperature: <math>-30\sim+45^{\circ}\text{C}</math></li> </ol>
---	---

## Components and Tools

 <p>Base      Housing Form</p>	<p>Base</p> 	<p>Mounting holes</p>  <p>The outlet hole</p> <p>Mounting holes</p>
---	---	--

## Installation Steps

<p><b>A</b></p>  <p> OFF</p> <p>▲ Please be sure to fasten tightly of the base.</p>	<p><b>B</b></p>  <p>▲ Wiring must be operated in accordance with construction specifications.</p>	<p><b>C</b></p>  <p>▲ Make sure the screws be fixed tightly.</p>	<p><b>D</b></p>  <p> ON</p> <p></p> <p>▲ Connect the power supply, and light up the lamp.</p>
<p><b>E</b></p>	<p><b>F</b></p>	<p><b>G</b></p>	<p><b>H</b></p>

## Notes:

1. Read this manual of instructions carefully before installation and keep it for future reference;
2. The lamps should be installed or repaired by professional electricians;
3. The light source of this lamp should be replaced by the manufacturer or its service agent or a similarly qualified person;
4. If the external flexible cord of this lamp is damaged, for the sake of avoiding hazard the cord should be replaced by the manufacturer or its service agent or a similarly qualified person;
5. Check the power switch has been turned off before install or repair the lamp.