



SERIE: NOME

REF. B-003097

### Descripción

Collection of LED outdoor wall lights, equipped with high performance light emitting diode. Body made of aluminum injection, diffuser in Tempered Glass. Protection against the penetration of solid and liquid particles. Allows its installation outdoors. Pre-wired luminaire.

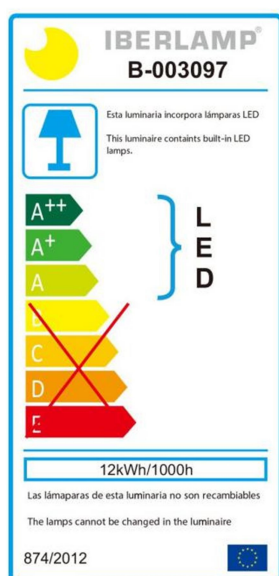
Colección de apliques de exterior LED, equipados con diodo emisor de luz de alto rendimiento. Cuerpo fabricado en inyección de aluminio, difusor en Vidrio Templado. Protección contra la penetración de partículas sólidas y líquidas. Permite su instalación al aire libre. Luminaria precableada.



### FINISHES AVAILABLE

DARK GREY  
MATT BLACK

### ENERGY EFFICIENCY



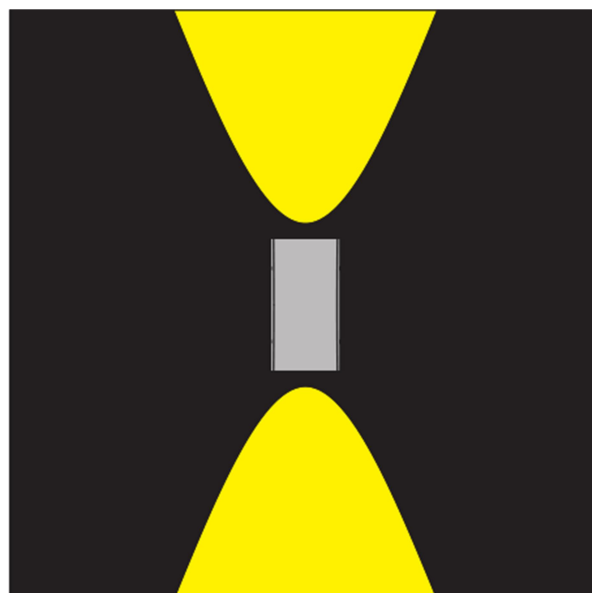
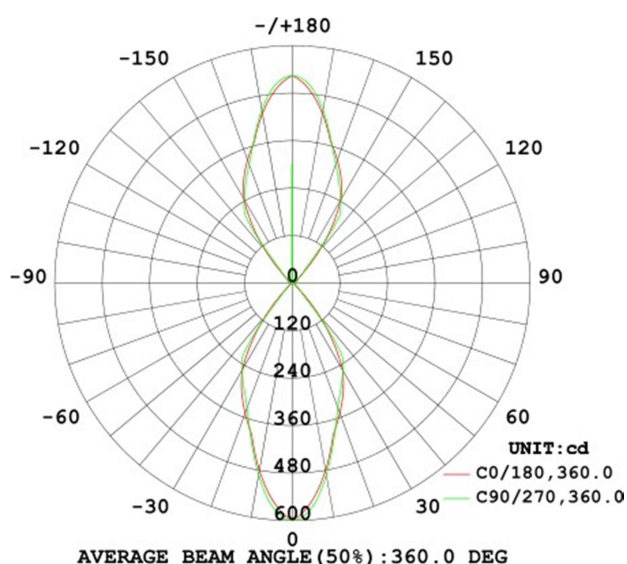
### TECHNICAL DATA SHEET

Application	SURFACE
IP Rating	IP65
Light source	LED 1304
Wattage	12W
Chip Brand	CREE
CCT Kelvin	3000 / 4000 / 5000K
Lumen	1000
IF—VF	320 mA—27-40V
C.R.I	≥ 80
SDCM	≤ 5
IK	08
Beam Angle	2-50°
Input Voltage—Frequency	100-240V~ 50/60Hz
Electrical Classification	I
Lifespan	25000h. L70B50
Driver	Inside—Included
Power Factor:	0.9
Power Efficiency	83%
Measure mm	100 x 105 x 104 mm
Working humidity	10%~90%RH
Weight Kg.	0.9
Working humidity	-30°~+45°
Lighting distance	7 m
Certificates - Standard	CE - IEC 60598-1/IEC 62031
Warranty years	3
<b>MATERIALES / ACABADOS</b>	
Structure material	High quality aluminum
Diffuser Material	Glass
Structure finishing	Anti - UV powder coating finish
Diffuser finishing	Clear

IBERLAMP reserves the right to carry out the appropriate technical modifications in order to improve the performance of the product.  
We recommend consulting with the sales team to clarify any doubts.

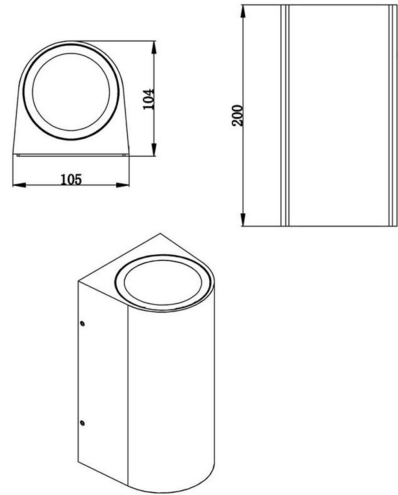
# Photometric Results

CIE Class:	Direct
Total Rated Lamp Lumens:	1000 lm
Measurement Flux:	1000 lm
Efficiency:	77.5 %
Downward Ratio:	39.0%
Upward Ratio:	38.5%
Luminaire Efficiency Rating (LER):	80.8
Central Intensity:	598.8 cd
Max. Intensity:	598.8 cd
Pos. Of Max Intensity:	H0.0 V0.0
IES File Name	B-003097





**IBERLAMP**



IBERLAMP reserves the right to make the necessary technical modifications in order to improve the performance of the product.

We recommend consulting with the commercial team to answer any questions.