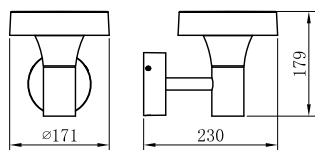


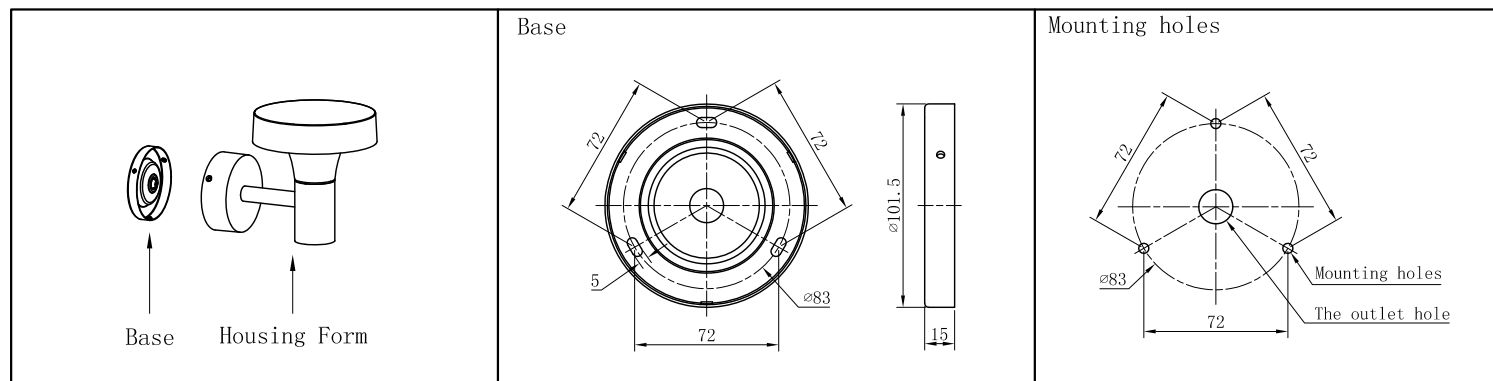
# Mounting Instruction

## Product Parameters



1. Model: 023243
2. Rated Voltage: AC 100–240V
3. Rated Power: LED 12W
4. IP Grade: IP65
5. Insulation protection level: Class I
6. Operating Temperature:  $-30\sim+45^{\circ}\text{C}$

## Components and Tools



## Installation Steps

<p><b>A</b></p> <p><b>OFF</b></p> <p>▲ Please be sure to fasten tightly of the base.</p>	<p><b>B</b></p> <p>▲ Wiring must be operated in accordance with construction specifications.</p>	<p><b>C</b></p> <p>▲ Make sure the screws be fixed tightly.</p>	<p><b>D</b></p> <p><b>ON</b></p> <p>▲ Connect the power supply, and light up the lamp.</p>
<p><b>E</b></p>	<p><b>F</b></p>	<p><b>G</b></p>	<p><b>H</b></p>

## Notes:

1. Read this manual of instructions carefully before installation and keep it for future reference;
2. The lamps should be installed or repaired by professional electricians;
3. The light source of this lamp should be replaced by the manufacturer or its service agent or a similarly qualified person;
4. If the external flexible cord of this lamp is damaged, for the sake of avoiding hazard the cord should be replaced by the manufacturer or its service agent or a similarly qualified person;
5. Check the power switch has been turned off before install or repair the lamp.