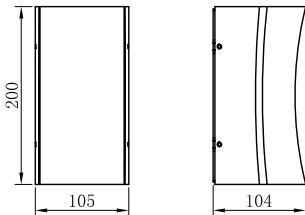
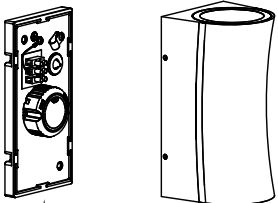
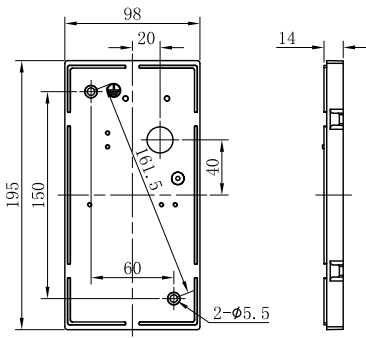
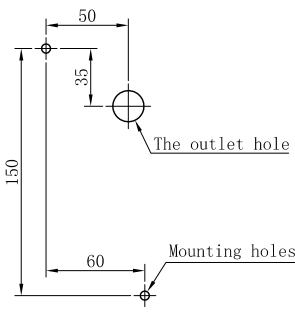


# Mounting Instruction

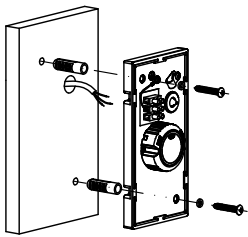
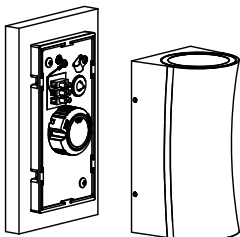
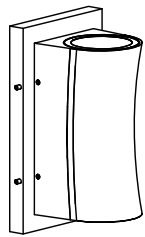
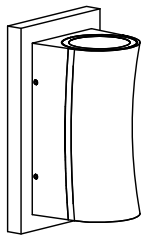
## Product Parameters

	<ol style="list-style-type: none"> <li>1. Model: 3027</li> <li>2. Rated Voltage: AC 100-240V</li> <li>3. Rated Power: LED 12W</li> <li>4. IP Grade: IP65</li> <li>5. Insulation protection level: Class I</li> <li>6. Operating Temperature: -30~+45°C</li> </ol>
---	---

## Components and Tools

 <p>Base      Housing Form</p>	<p>Base</p> 	<p>Mounting holes</p> 
---	---	---

## Installation Steps

<p><b>A</b></p>  <p><b>OFF</b></p> <p>▲ Please be sure to fasten tightly of the base.</p>	<p><b>B</b></p>  <p>▲ Wiring must be operated in accordance with construction specifications.</p>	<p><b>C</b></p>  <p>▲ Make sure the screws be fixed tightly.</p>	<p><b>D</b></p>  <p><b>ON</b></p> <p>▲ Connect the power supply, and light up the lamp.</p>
<p><b>E</b></p>	<p><b>F</b></p>	<p><b>G</b></p>	<p><b>H</b></p>

## Attention

1. Lamp should be installed by professional electrician;
2. The light source contained in this luminaire shall only be replaced by the manufacturer or his service agent or a similar qualified person;
3. Check the power switch has been turned off;
4. Please read this user guide carefully before installation and keep for future reference;
5. If the external flexible cable or cord of this luminaire is damaged, it shall be exclusively replaced by the manufacturer or his service agent or a similar qualified person in order to avoid a hazard.