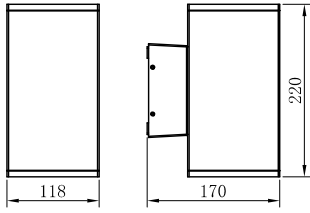


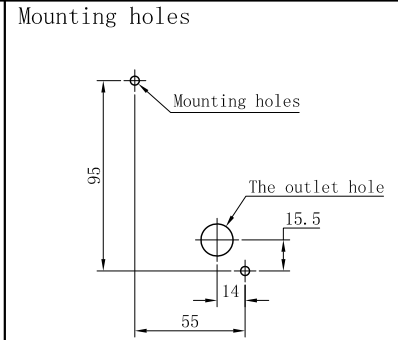
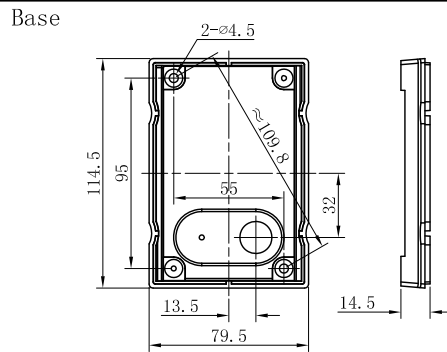
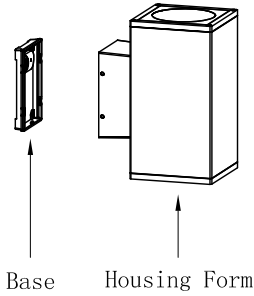
Mounting Instruction

Product Parameters

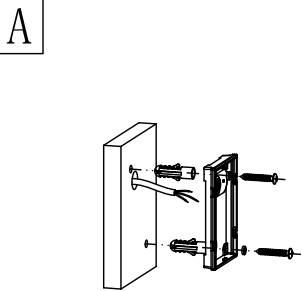


1. Model: 803482
2. Rated Voltage: AC 100-240V
3. Rated Power: LED 24W
4. IP Grade: IP65
5. Insulation protection level: Class I
6. Operating Temperature: $-30\sim+45^{\circ}\text{C}$

Components and Tools

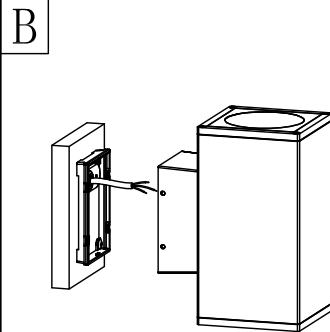


Installation Steps

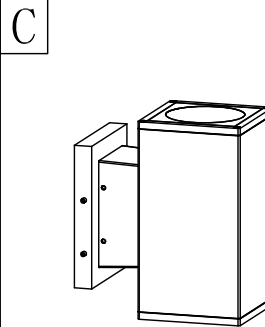


OFF

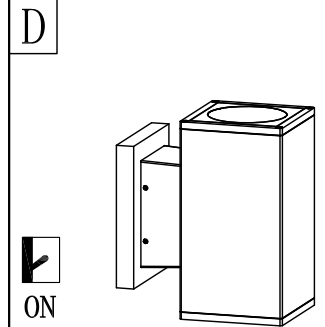
▲ Please be sure to fasten tightly of the base.



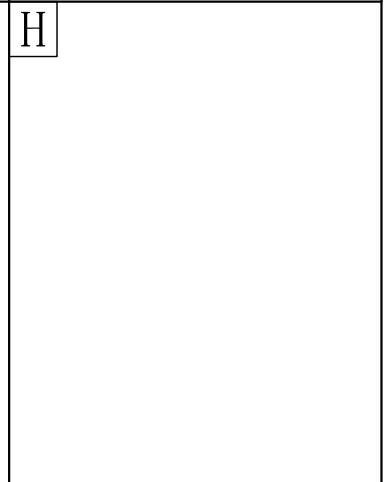
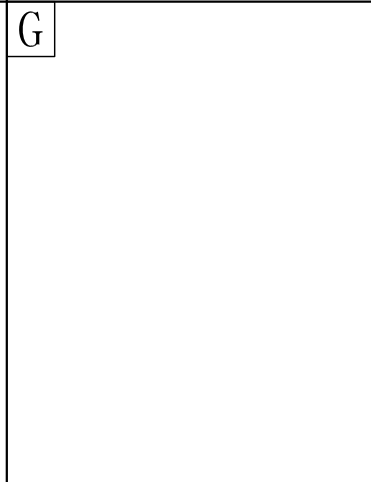
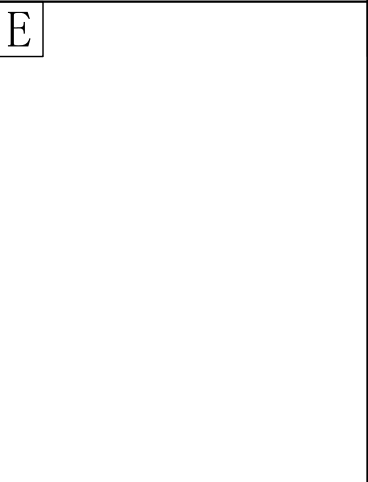
▲ Wiring must be operated in accordance with construction specifications.



▲ Make sure the screws be fixed tightly.



▲ Connect the power supply, and light up the lamp.



Notes:

1. Read this manual of instructions carefully before installation and keep it for future reference;
2. The lamps should be installed or repaired by professional electricians;
3. The light source of this lamp should be replaced by the manufacturer or its service agent or a similarly qualified person;
4. If the external flexible cord of this lamp is damaged, for the sake of avoiding hazard the cord should be replaced by the manufacturer or its service agent or a similarly qualified person;
5. Check the power switch has been turned off before install or repair the lamp.