



SERIE: FOX

REF. B-803093

Descripción

Collection of LED outdoor wall lights, equipped with high performance light emitting diode. Body made of aluminum injection, diffuser in tempered glass. Protection against the penetration of solid and liquid particles. Allows its installation outdoors. Pre-wired luminaire

Colección de apliques de exterior LED, equipados con diodo emisor de luz de alto rendimiento. Cuerpo fabricado en inyección de aluminio, difusor en cristal templado. Protección contra la penetración de partículas sólidas y líquidas. Permite su instalación al aire libre. Luminaria precableada

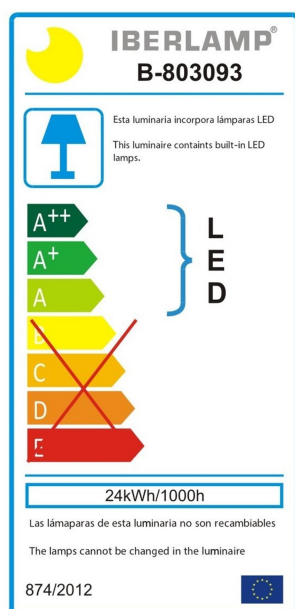


FINISHES AVAILABLE

DARK GREY

MATT BLACK

ENERGY EFFICIENCY



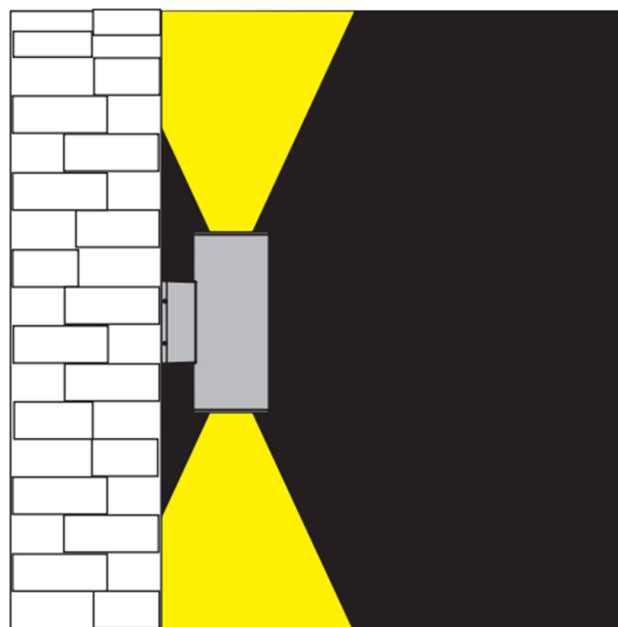
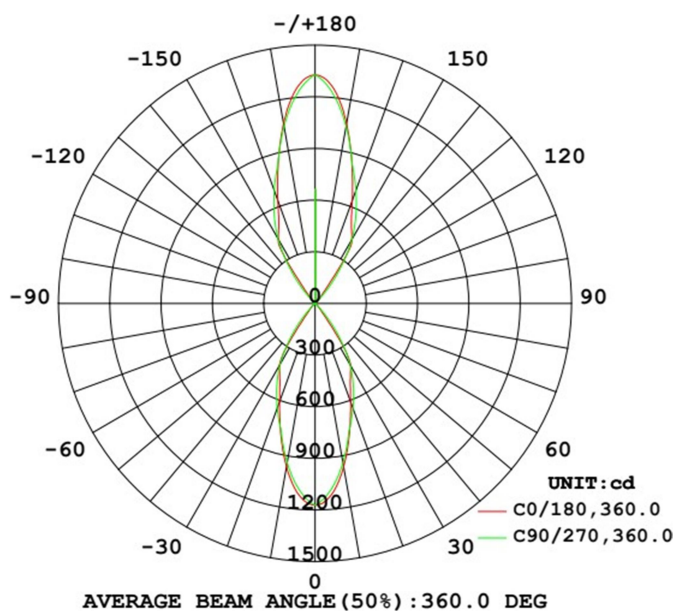
TECHNICAL DATA SHEET

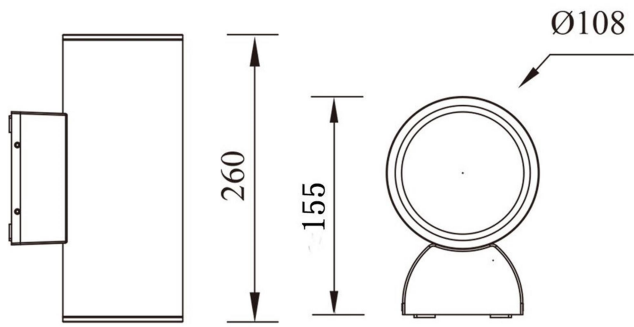
| | |
|------------------------------|---------------------------------|
| Application | SURFACE |
| IP Rating | IP65 |
| Light source | LED 1507 |
| Wattage | 24 W |
| Chip Brand | CREE |
| CCT Kelvin | 3000 / 4000 / 5000K |
| Lumen | 1500Lm ± 10% |
| IF—VF | 650 mA—27-40VDC |
| C.R.I | ≥ 80 |
| SDCM | ≤ 5 |
| IK | 08 |
| Beam Angle | 40 ° |
| Input Voltage - Frequency | 100-240V~ 50/60Hz |
| Electrical Classification | I |
| Lifespan | 25000h. L70B50 |
| Driver | Inside - Included |
| Power Factor: | 0.9 |
| Power Efficiency | 83% |
| Measure mm | 155 x 108 x 260 mm. |
| Working humidity | 10%~90%RH |
| Weight Kg. | 1 |
| Working humidity | -30°~+45° |
| Lighting distance | 7m |
| Certificates - Standard | CE - IEC 60598-1/IEC 62031 |
| Warranty years | 3 |
| MATERIALES / ACABADOS | |
| Structure material | High quality aluminum |
| Diffuser Material | Glass |
| Structure finishing | Anti - UV powder coating finish |
| Diffuser finishing | Clear |

IBERLAMP reserves the right to carry out the appropriate technical modifications in order to improve the performance of the product. We recommend consulting with the sales team to clarify any doubts.

Photometric Results

| | |
|------------------------------------|--------------|
| CIE Class: | Direct |
| Total Rated Lamp Lumens: | 1500 lm. |
| Measurement Flux: | 1500 lm. |
| Efficiency: | 62.7 % |
| Downward Ratio: | 30.5 % |
| Upward Ratio: | 32.2 % |
| Luminaire Efficiency Rating (LER): | 62.5 % |
| Central Intensity: | 1328 cd. |
| Max. Intensity: | 1328 cd. |
| Pos. Of Max Intensity: | H0.0 V-180.0 |
| IES File Name | B-803093 |





IBERLAMP reserves the right to make the necessary technical modifications in order to improve the performance of the product.

We recommend consulting with the commercial team to answer any questions.