



SERIE: NOME

REF. B-003332

Descripción

Collection of LED outdoor wall lights, equipped with high performance light emitting diode. Body made of aluminum injection, diffuser in Tempered Glass. Protection against the penetration of solid and liquid particles. Allows its installation outdoors. Pre-wired luminaire

Colección de apliques de exterior LED, equipados con diodo emisor de luz de alto rendimiento. Cuerpo fabricado en inyección de aluminio, difusor en Vidrio Templado. Protección contra la penetración de partículas sólidas y líquidas. Permite su instalación al aire libre. Luminaria precableada

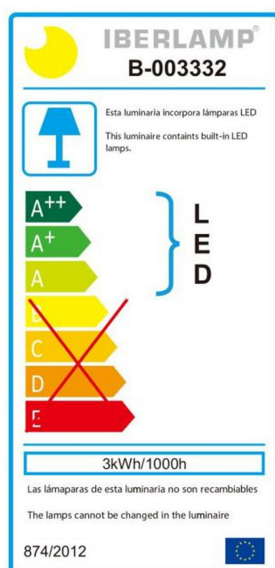


FINISHES AVAILABLE

DARK GREY

MATT BLACK

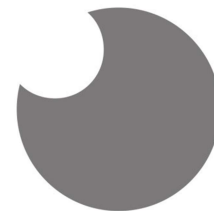
ENERGY EFFICIENCY



TECHNICAL DATA SHEET

Application	SURFACE
IP Rating	IP65
Light source	LED XTE
Wattage	3W
Chip Brand	CREE
CCT Kelvin	3000 / 4000 / 5000K
Lumen	150
IF—VF	700 mA—2-4V
C.R.I	≥ 80
SDCM	≤ 5
IK	08
Beam Angle	2-24°
Input Voltage—Frequency	100-240V~ 50/60Hz
Electrical Classification	I
Lifespan	25000h. L70B50
Driver	Inside—Included
Power Factor:	0.9
Power Efficiency	60%
Measure mm	110 x 70 x 72 mm
Working humidity	10%~90%RH
Weight Kg.	0.3
Working humidity	-30°~+45°
Lighting distance	5 m
Certificates - Standard	CE - IEC 60598-1/IEC 62031
Warranty years	3
MATERIALES / ACABADOS	
Structure material	High quality aluminum
Diffuser Material	Glass
Structure finishing	Anti - UV powder coating finish
Diffuser finishing	Clear

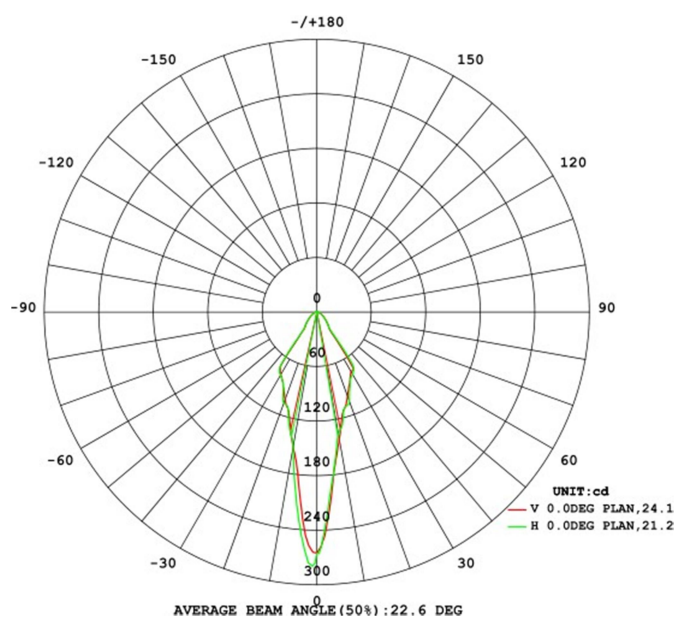
IBERLAMP reserves the right to carry out the appropriate technical modifications in order to improve the performance of the product. We recommend consulting with the sales team to clarify any doubts.



IBERLAMP

Photometric Results

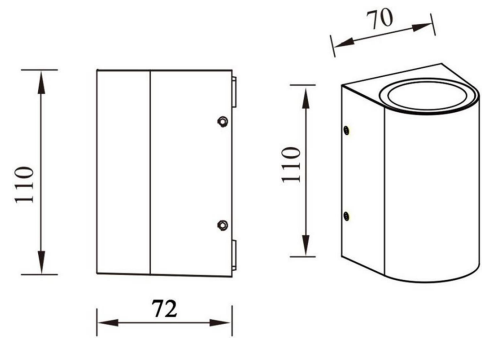
CIE Class:	Direct
Total Rated Lamp Lumens:	150 lm
Measurement Flux:	150 lm
Efficiency:	68.2 %
Downward Ratio:	67.8%
Upward Ratio:	0.4%
Luminaire Efficiency Rating (LER):	50
Central Intensity:	280.2 cd
Max. Intensity:	280.2 cd
Pos. Of Max Intensity:	H0.5 V0.5
IES File Name	B-003332



The results shown correspond to the production standards. Any modification of these standards may alter the results displayed.



IBERLAMP



IBERLAMP reserves the right to make the necessary technical modifications in order to improve the performance of the product.

We recommend consulting with the commercial team to answer any questions.