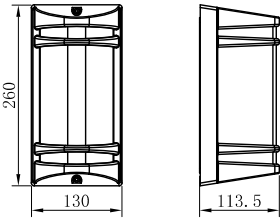


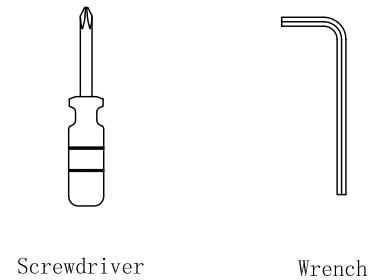
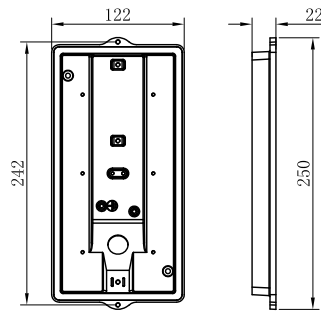
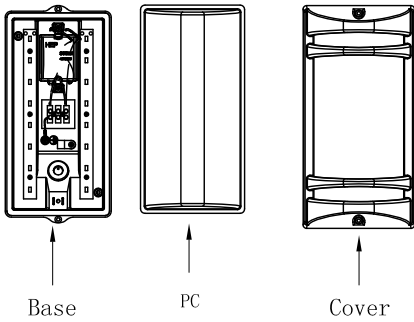
Mounting Instruction

Product Parameters



1. Model: 3087
2. Rated Voltage: AC 100-240V
3. Rated Power: LED 8W
4. IP Grade: IP54
5. Insulation protection level: Class I
6. Operating Temperature: $-30^{\circ}\text{C} \sim +45^{\circ}\text{C}$

Components and Tools



Installation Steps

<p>A</p> <p><input checked="" type="checkbox"/> OFF</p> <p>▲ Please be sure to fasten tightly of the base.</p>	<p>B</p> <p>▲ Live line for L terminal, Null line for N terminal, Ground line for E terminal.</p>	<p>C</p> <p>▲ Make sure the screws be fixed tightly.</p>	<p>D</p> <p><input checked="" type="checkbox"/> ON</p> <p><input checked="" type="checkbox"/></p> <p>▲ Connect the power supply, and light up the lamp.</p>
<p>E</p>	<p>F</p>	<p>G</p>	<p>H</p>

Attention

1. Lamp should be installed by professional electrician;
2. Check the power switch has been turned off;
3. Please read this user guide carefully before installation and keep for future reference.