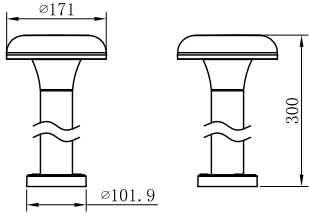


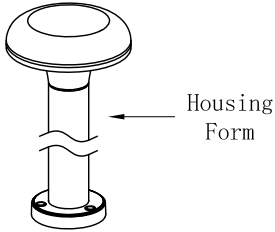
# Mounting Instruction

## Product Parameters

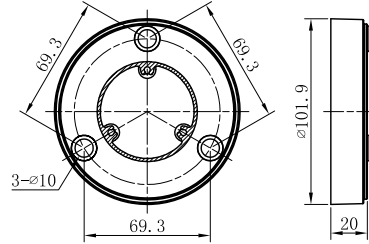


1. Model: 033243-30
2. Rated Voltage: AC 100-240V
3. Rated Power: LED 12W
4. IP Grade: IP65
5. Insulation protection level: Class I
6. Operating Temperature:  $-30\sim+45^{\circ}\text{C}$

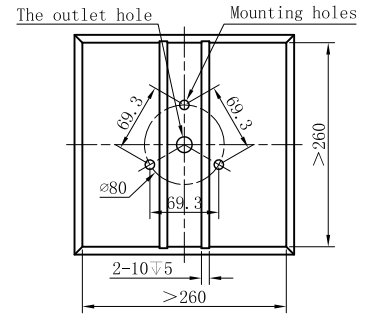
## Components and Tools



Flange

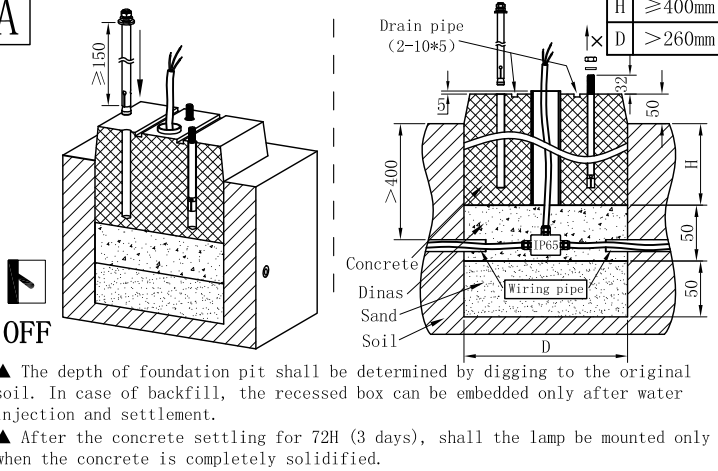


Mounting holes

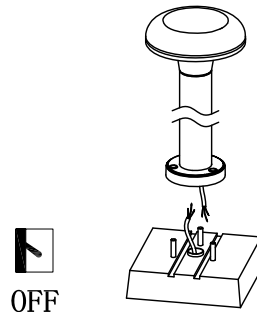


## Installation Steps

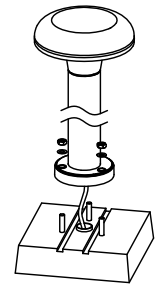
**A**



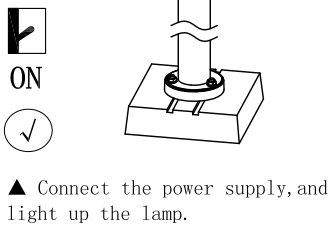
**B**



**C**



**D**



**E**

**F**

**G**

## Notes:

1. Read this manual of instructions carefully before installation and keep it for future reference;
2. The lamps should be installed or repaired by professional electricians;
3. The light source of this lamp should be replaced by the manufacturer or its service agent or a similarly qualified person;
4. If the external flexible cord of this lamp is damaged, for the sake of avoiding hazard the cord should be replaced by the manufacturer or its service agent or a similarly qualified person;
5. Check the power switch has been turned off before install or repair the lamp.