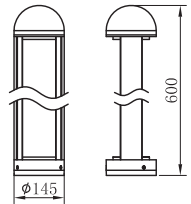
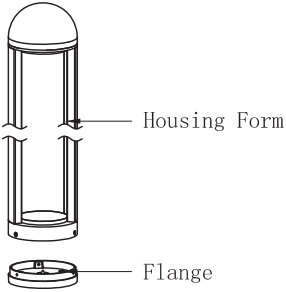
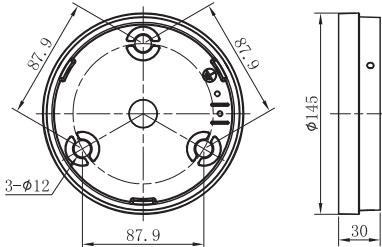
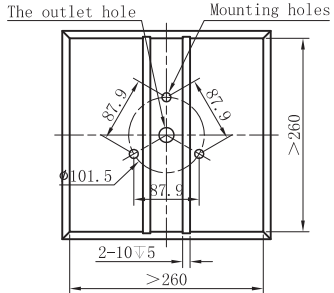


Mounting Instruction

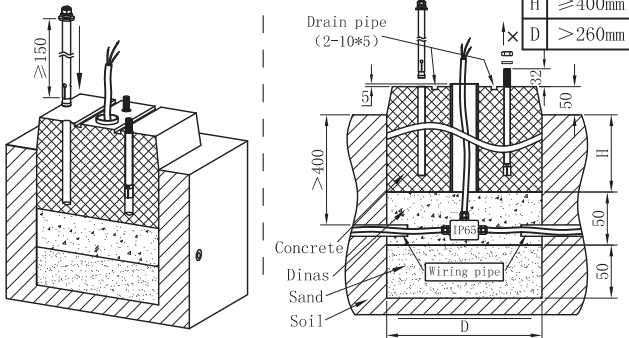
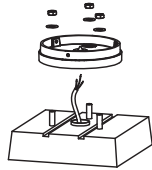
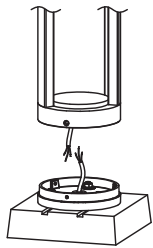
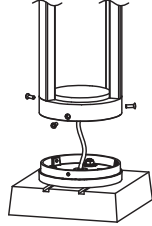
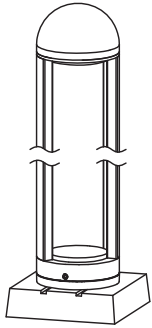
Product Parameters

	<ol style="list-style-type: none"> 1. Model: 3103RH-60 2. Rated Voltage: AC 100-240V 3. Rated Power: LED 8W 4. IP Grade: IP54 5. Insulation protection level: Class I 6. Operating Temperature: $-30\sim+45^{\circ}\text{C}$
---	---

Components and Tools

	<p>Flange</p> 	<p>Mounting holes</p> 
---	---	---

Installation Steps

<p>A</p>  <p>OFF</p> <p>▲ The depth of foundation pit shall be determined by digging to the original soil. In case of backfill, the recessed box can be embedded only after water injection and settlement. ▲ After the concrete settling for 72H (3 days), shall the lamp be mounted only when the concrete is completely solidified.</p>	<p>B</p>  <p>OFF</p> <p>▲ Please be sure to fasten tightly of the flange.</p>	<p>C</p>  <p>▲ Wiring must be operated in accordance with construction specifications.</p>	
<p>D</p>  <p>▲ Make sure the screws be fixed tightly.</p>	<p>E</p>  <p>ON</p> <p>✓</p> <p>▲ Connect the power supply, and light up the lamp.</p>	<p>F</p>	<p>G</p>

Attention

1. Lamp should be installed by professional electrician;
2. The light source contained in this luminaire shall only be replaced by the manufacturer or his service agent or a similar qualified person;
3. Check the power switch has been turned off;
4. Please read this user guide carefully before installation and keep for future reference;
5. If the external flexible cable or cord of this luminaire is damaged, it shall be exclusively replaced by the manufacturer or his service agent or a similar qualified person in order to avoid a hazard.