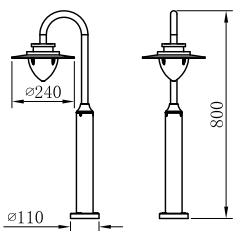


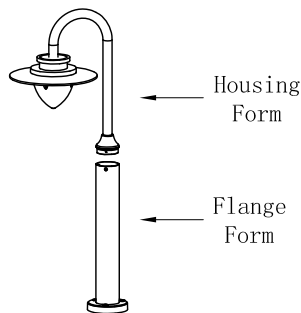
Mounting Instruction

Product Parameters

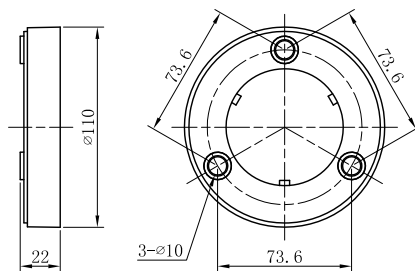


1. Model: 5083
2. Rated Voltage: AC 100-240V
3. Rated Power: LED 8W
4. IP Grade: IP54
5. Insulation protection level: Class I
6. Operating Temperature: $-30\sim+45^{\circ}\text{C}$

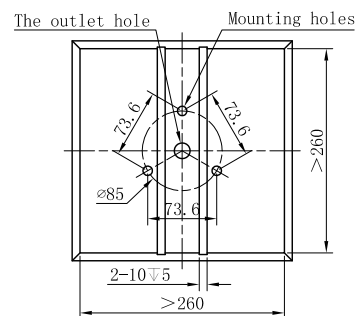
Components and Tools



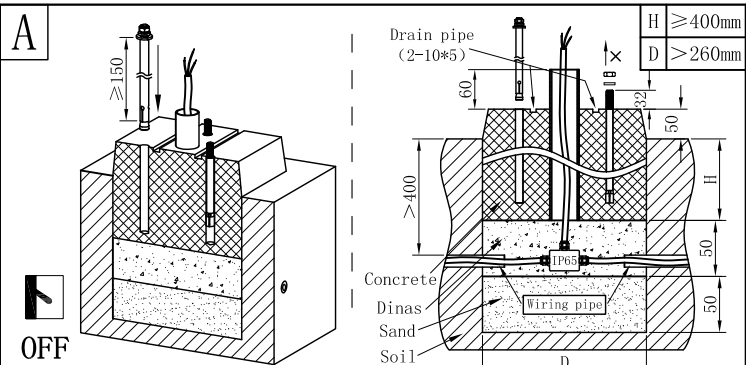
Base



Mounting holes

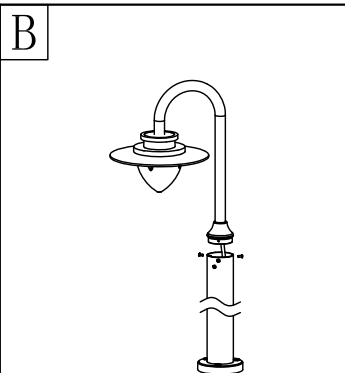


Installation Steps

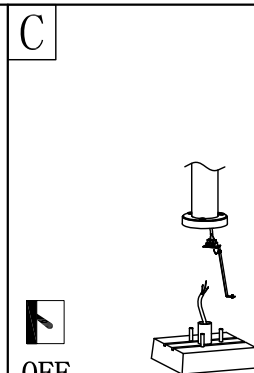


OFF

- ▲ The depth of foundation pit shall be determined by digging to the original soil. In case of backfill, the recessed box can be embedded only after water injection and settlement.
- ▲ After the concrete settling for 72H (3 days), shall the lamp be mounted only when the concrete is completely solidified.

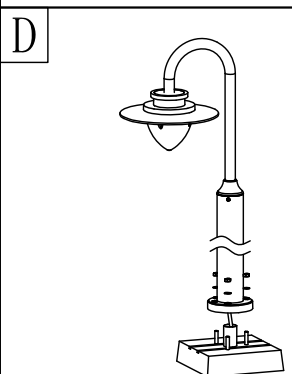


- ▲ Make sure the screws be fixed tightly.

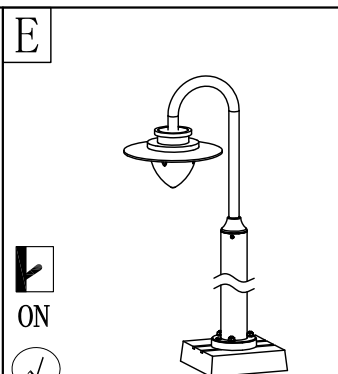


OFF

- ▲ Live line for L terminal, Null line for N terminal, Ground line for E terminal.



- ▲ Please be sure to fasten tightly of the flange.



ON

- ▲ Connect the power supply, and light up the lamp.

Attention

1. Lamp should be installed by professional electrician;
2. The light source contained in this luminaire shall only be replaced by the manufacturer or his service agent or a similar qualified person;
3. Check the power switch has been turned off;
4. Please read this user guide carefully before installation and keep for future reference;
5. If the external flexible cable or cord of this luminaire is damaged, it shall be exclusively replaced by the manufacturer or his service agent or a similar qualified person in order to avoid a hazard.