



SERIE: TERRA

REF. P-123235

Descripción

Collection of LED outdoor bollard lights, equipped with high performance light emitting diode. Body made of aluminum injection, diffuser in PC opal. Protection against the penetration of solid and liquid particles. Allows its installation outdoors. Pre-wired luminaire

Colección de balizas de exterior LED, equipados con diodo emisor de luz de alto rendimiento. Cuerpo fabricado en inyección de aluminio, difusor en PC opal. Protección contra la penetración de partículas sólidas y líquidas. Permite su instalación al aire libre. Luminaria precableada



FINISHES AVAILABLE

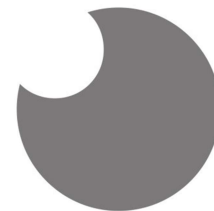
DARK GREY

ENERGY EFFICIENCY

TECHNICAL DATA SHEET

Application	SURFACE
IP Rating	IP65
Light source	LED 2835
Wattage	8 W
Chip Brand	OSRAM
CCT Kelvin	3000 / 4000 / 5000K
Lumen	500Lm ± 10%
IF-VF	320 mA-27-40VDC
C.R.I	≥ 80
SDCM	≤ 5
IK	08
Beam Angle	180 °
Input Voltage - Frequency	100-240V~ 50/60Hz
Electrical Classification	I
Lifespan	25000h. L70B50
Driver	Inside - Included
Power Factor:	0.9
Power Efficiency	83%
Measure mm	Φ 160 x 160 x 215 mm.
Working humidity	10%~90%RH
Weight Kg.	1
Working humidity	-30°~+45°
Lighting distance	3m
Certificates - Standard	CE - IEC 60598-1/IEC 62031
Warranty years	3
MATERIALES / ACABADOS	
Structure material	High quality aluminum
Diffuser Material	PC
Structure finishing	Anti - UV powder coating finish
Diffuser finishing	Opal White

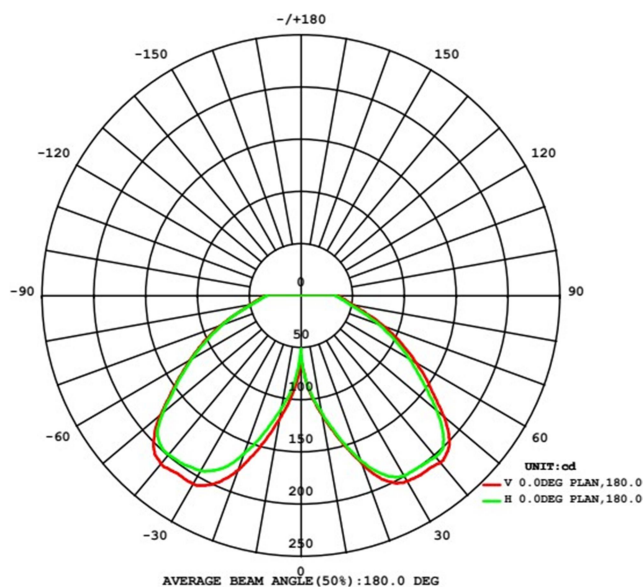
IBERLAMP reserves the right to carry out the appropriate technical modifications in order to improve the performance of the product.
We recommend consulting with the sales team to clarify any doubts.



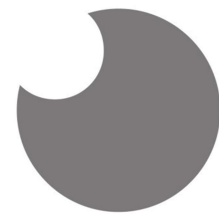
IBERLAMP

Photometric Results

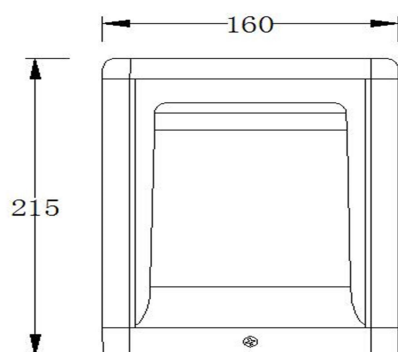
CIE Class:	Direct
Total Rated Lamp Lumens:	750 lm.
Measurement Flux:	750 lm.
Efficiency:	41.8 %
Downward Ratio:	41.8 %
Upward Ratio:	0.0 %
Luminaire Efficiency Rating (LER):	62.5 %
Central Intensity:	211.9 cd.
Max. Intensity:	211.9 cd.
Pos. Of Max Intensity:	H33.0 V-10.0
IES File Name	P-123243-60



The results shown correspond to the production standards. Any modification of these standards may alter the results displayed.



IBERLAMP



IBERLAMP reserves the right to make the necessary technical modifications in order to improve the performance of the product.

We recommend consulting with the commercial team to answer any questions.