



SERIE: POSTE

REF. T- 00H1-260

### Descripción

Collection of outdoor posts. Body made of aluminum injection, anchor bolts and spreads bracket are included with the post.

Colección de postes de exterior. Cuerpo fabricado en inyección de aluminio, pernos de anclaje y escuadras de separación van incluidos con el poste.



### FINISHES AVAILABLE

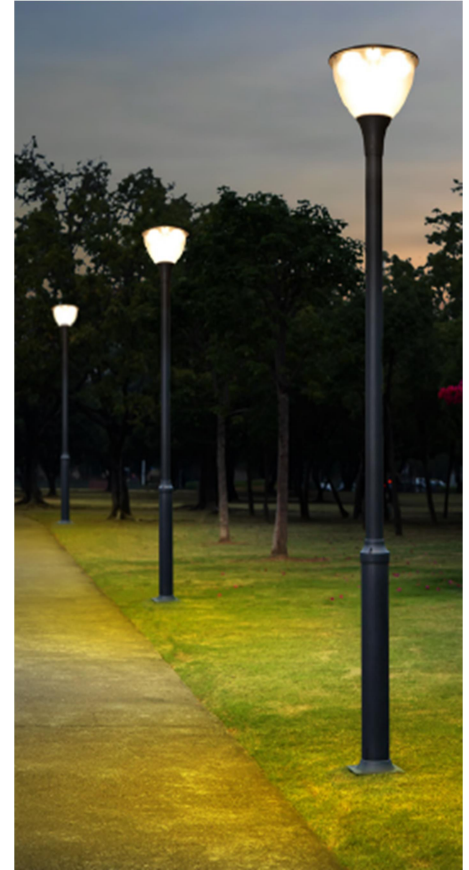
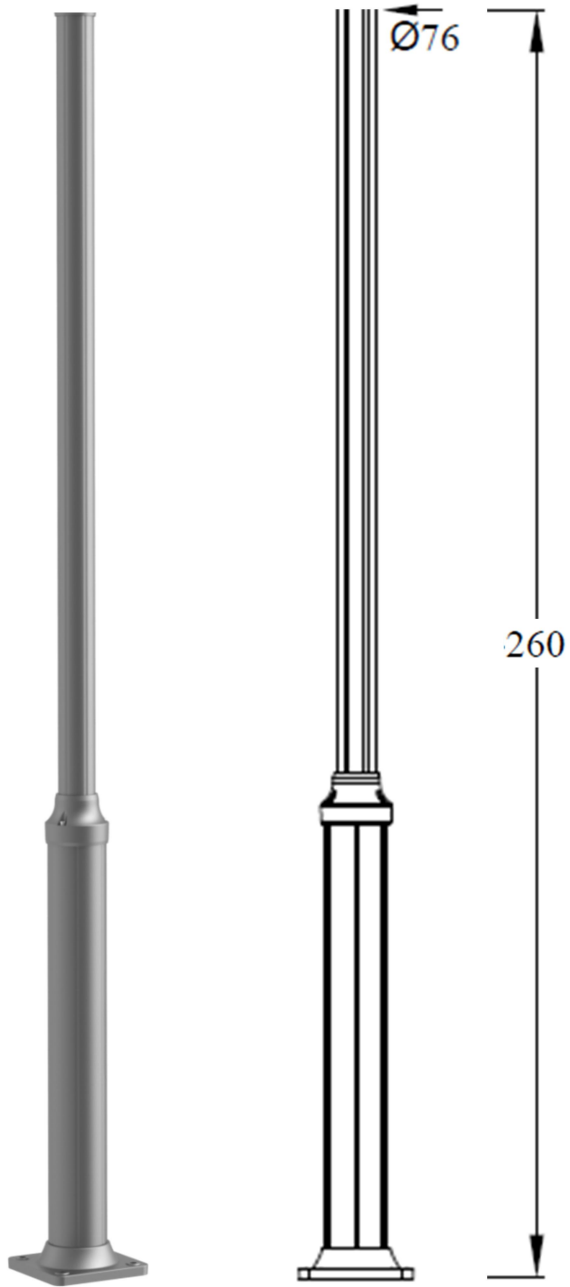
DARK GREY

MATT BLACK

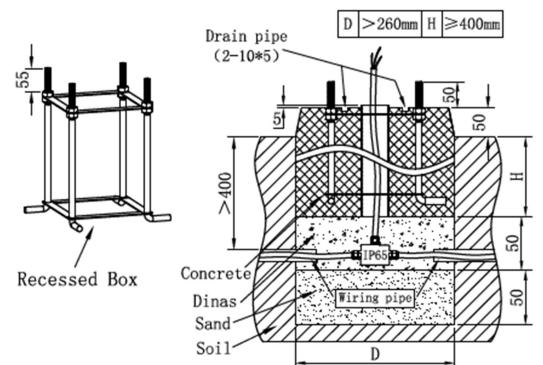
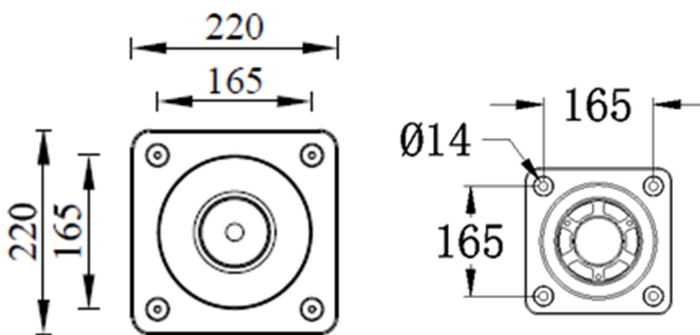
### TECHNICAL DATA SHEET

Application	SURFACE
IP Rating	
Light source	
Wattage	
Chip Brand	
CCT Kelvin	
Lumen	
IF—VF	
C.R.I	
SDCM	
IK	
Beam Angle	
Input Voltage - Frequency	
Electrical Classification	
Lifespan	
Driver	
Power Factor:	
Power Efficiency	
Measure mm	Ø 76 x 220 x 220 x H.2600 mm.
Working humidity	
Weight Kg.	10
Working humidity	
Lighting distance	
Certificates - Standard	CE- IEC 60598-1/IEC 62031
Warranty years	5
<b>MATERIALES / ACABADOS</b>	
Structure material	High quality aluminum
Diffuser Material	
Structure finishing	Anti - UV powder coating finish
Diffuser finishing	

IBERLAMP reserves the right to carry out the appropriate technical modifications in order to improve the performance of the product.  
We recommend consulting with the sales team to clarify any doubts.



**PERNOS DE ANCLAJE Y ESCUADRA DE SEPARACIÓN VAN INCLUIDOS CON LA COLUMNA**  
**ANCHOR BOLTS AND SPREAD BRACKET ARE INCLUDED WITH THE POST**



IBERLAMP reserves the right to make the necessary technical modifications in order to improve the performance of the product.

We recommend consulting with the commercial team to answer any questions.