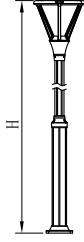
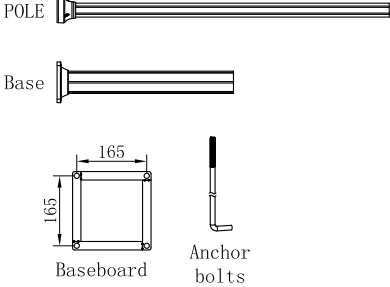
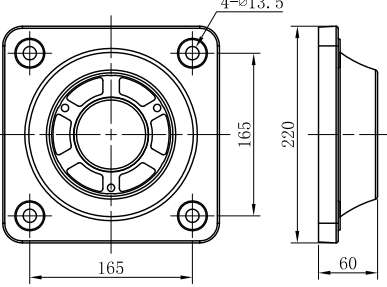
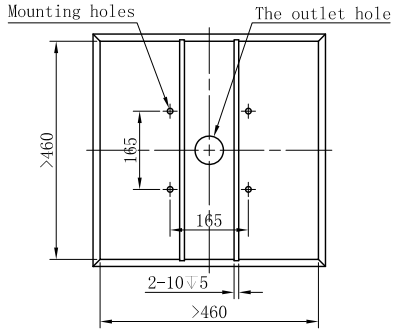


# Mounting Instruction

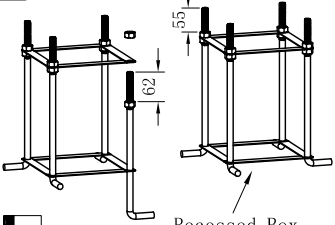
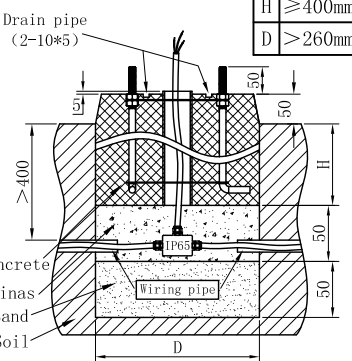
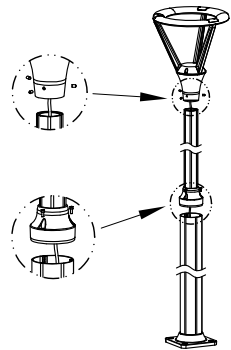
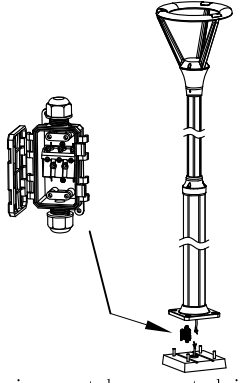
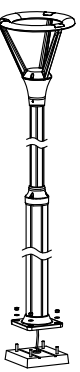
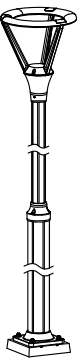
## Product Parameters

	1. Model: T-00H1-260
	2. Pole Lten: T-00H1-H
	3. Rated Voltage:
	4. Rated Power:
	5. IP Grade:
	6. Insulation protection level: Class I
	7. Operating Temperature: $-30\sim+45^{\circ}\text{C}$

## Components and Tools

	<p>Flange</p> 	<p>Mounting holes</p> 
---	--	---

## Installation Steps

<p><b>A</b></p>  <p>Recessed Box</p> <p><b>OFF</b></p> <p>▲ The depth of foundation pit shall be determined by digging to the original soil. In case of backfill, the recessed box can be embedded only after water injection and settlement. ▲ After the recessed box are embedded for 72H (3 days), shall the lamp be mounted only when the concrete is completely solidified.</p>	<p><b>B</b></p>  <p>Drain pipe (2-10*5)</p> <p>Concrete</p> <p>Dinas</p> <p>Sand</p> <p>Soil</p> <p>Wiring pipe</p> <p>H <math>\geq 400\text{mm}</math></p> <p>D <math>\geq 260\text{mm}</math></p>		<p><b>C</b></p>  <p><b>OFF</b></p> <p>▲ Wiring must be operated in accordance with construction specifications.</p>
<p><b>D</b></p>  <p>▲ Please be sure to fasten tightly of the flange.</p>	<p><b>E</b></p>  <p><b>ON</b></p> <p>✓</p> <p>▲ Connect the power supply, and light up the lamp.</p>	<p><b>F</b></p>	<p><b>G</b></p>

## Attention

- Lamp should be installed by professional electrician;
- The light source contained in this luminaire shall only be replaced by the manufacturer or his service agent or a similar qualified person;
- Check the power switch has been turned off;
- Please read this user guide carefully before installation and keep for future reference;
- If the external flexible cable or cord of this luminaire is damaged, it shall be exclusively replaced by the manufacturer or his service agent or a similar qualified person in order to avoid a hazard.