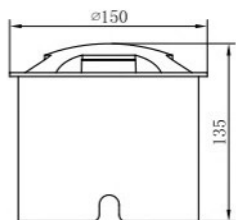


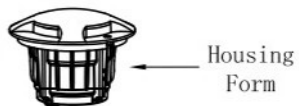
Mounting Instruction

Product Parameters



1. Model: M-103526+B
2. Rated Voltage: AC 100-240V
3. Rated Power: LED 12W
4. IP Grade: IP67
5. Insulation protection level: Class I
6. Operating Temperature: -30~+45°C

Components and Tools

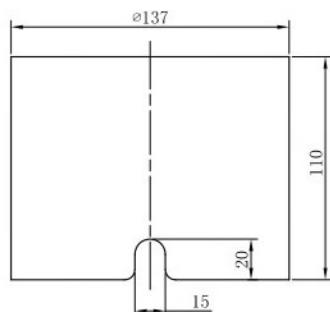


Housing Form

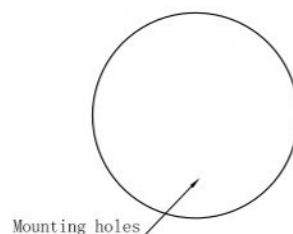


Recessed Box

Recessed Box



Mounting holes



Installation Steps

<p>A</p> <p>unit: mm</p> <p>OFF</p> <p>▲ Caution: The reserved holes must be lay as the told method, recessed box must keep flushing with ground. Always use a wire connector not less than IP67.</p>	<p>B</p> <p>▲ Live line for L terminal, Null line for N terminal, Ground line for E terminal.</p>	<p>C</p> <p>▲ Make sure the screws be fixed tightly.</p>	
<p>D</p> <p>ON</p> <p>▲ Connect the power supply, and light up the lamp.</p>	<p>E</p>	<p>F</p>	<p>G</p>

Notes:

1. Read this manual of instructions carefully before installation and keep it for future reference;
2. The lamps should be installed or repaired by professional electricians;
3. The light source of this lamp should be replaced by the manufacturer or its service agent or a similarly qualified person;
4. If the external flexible cord of this lamp is damaged, for the sake of avoiding hazard the cord should be replaced by the manufacturer or its service agent or a similarly qualified person;
5. Check the power switch has been turned off before install or repair the lamp.