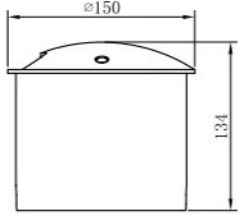


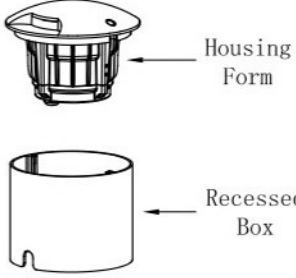
Mounting Instruction

Product Parameters

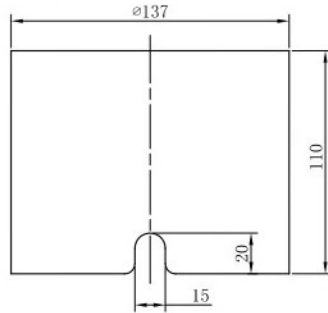


1. Model: 113526+B
2. Rated Voltage: AC 100-240V
3. Rated Power: LED 5W
4. IP Grade: IP67
5. Insulation protection level: Class I
6. Operating Temperature: -30~+45°C

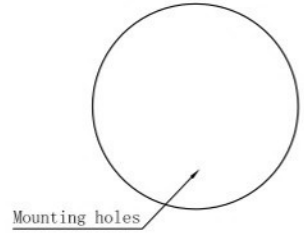
Components and Tools



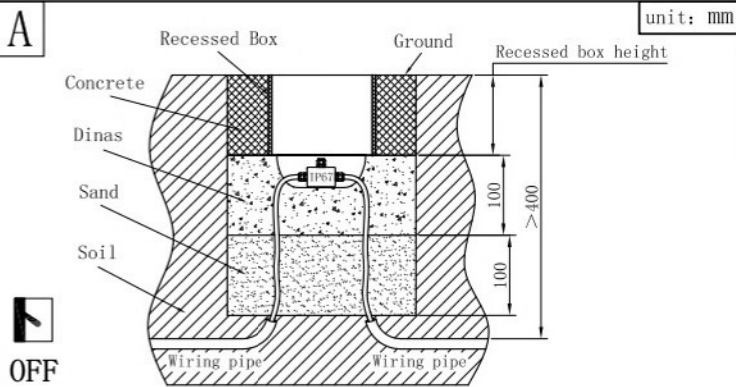
Recessed Box



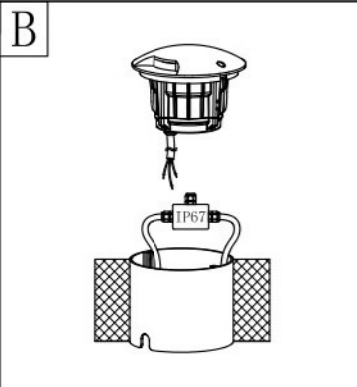
Mounting holes



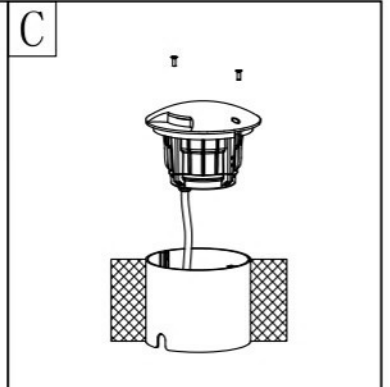
Installation Steps



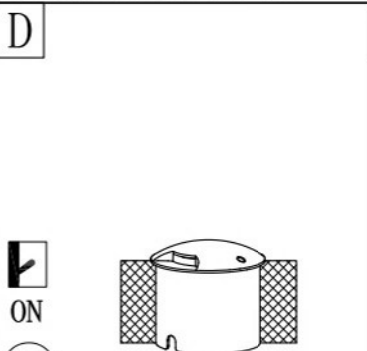
▲ Caution: The reserved holes must be lay as the told method, recessed box must keep flushing with ground. Always use a wire connector not less than IP67.



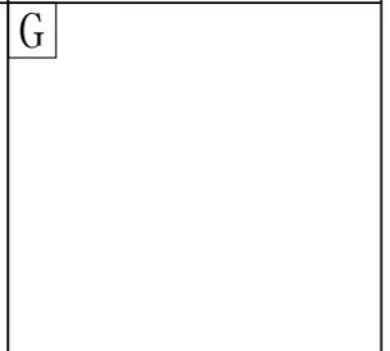
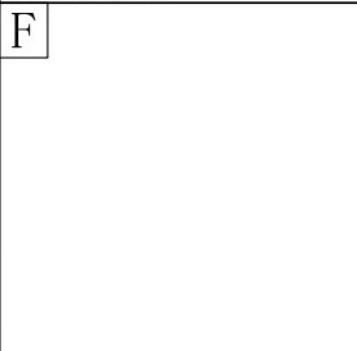
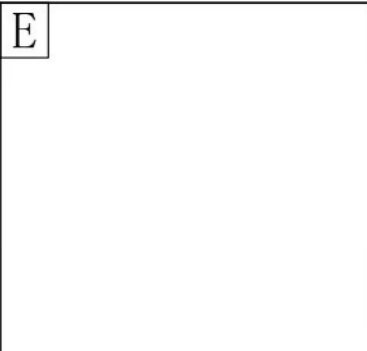
▲ Live line for L terminal, Null line for N terminal, Ground line for E terminal.



▲ Make sure the screws be fixed tightly.



▲ Connect the power supply, and light up the lamp.



Notes:

1. Read this manual of instructions carefully before installation and keep it for future reference;
2. The lamps should be installed or repaired by professional electricians;
3. The light source of this lamp should be replaced by the manufacturer or its service agent or a similarly qualified person;
4. If the external flexible cord of this lamp is damaged, for the sake of avoiding hazard the cord should be replaced by the manufacturer or its service agent or a similarly qualified person;
5. Check the power switch has been turned off before install or repair the lamp.