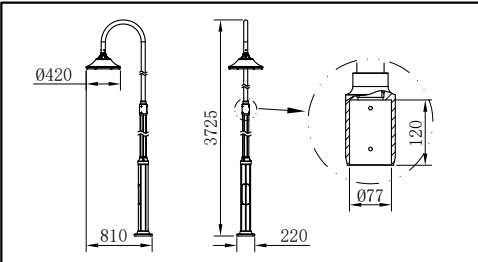


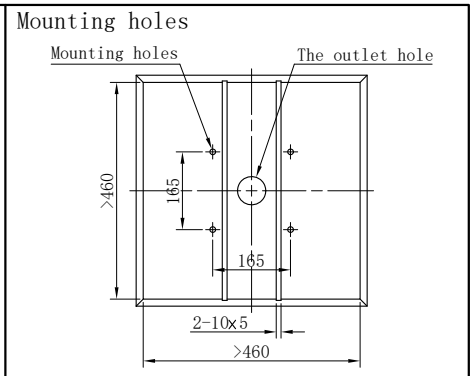
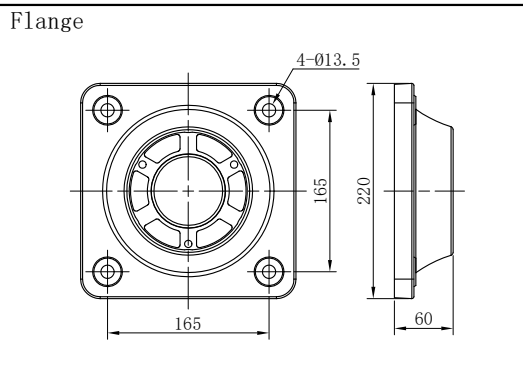
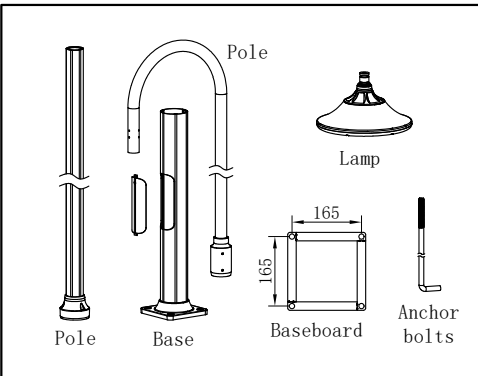
# Mounting Instruction

## Product Parameters



1. Model: 025021
2. Pole Lten:T-00H3-H
3. Rated Voltage: AC 120-240V
4. Rated Power: LED 36W/48W/60W
5. IP Grade: IP65
6. Insulation protection level: Class I
7. Operating Temperature:  $-30^{\circ}\text{C} \sim 45^{\circ}\text{C}$

## Components and Tools



## Installation Steps

**A**

Drain pipe (2-10\*5)

Concrete

Dinas

Sand

Soil

Wiring pipe

Recessed Box

$H \geq 700\text{mm}$

$D > 460\text{mm}$

**OFF**

▲ The depth of foundation pit shall be determined by digging to the original soil. In case of backfill, the recessed box can be embedded only after water injection and settlement.

▲ After the recessed box are embedded for 72H (3 days), shall the lamp be mounted only when the concrete is completely solidified.

**B**

**C**

**D**

**OFF**

▲ Please be sure to fasten tightly of the flange.

**E**

▲ Wiring must be operated in accordance with construction specifications.

**F**

**G**

**ON**

▲ Connect the power supply, and light up the lamp.

## Notes:

1. Read this manual of instructions carefully before installation and keep it for future reference;
2. The lamps should be installed or repaired by professional electricians;
3. The light source of this lamp should be replaced by the manufacturer or its service agent or a similarly qualified person;
4. If the external flexible cord of this lamp is damaged, for the sake of avoiding hazard the cord should be replaced by the manufacturer or its service agent or a similarly qualified person;
5. Check the power switch has been turned off before install or repair the lamp.