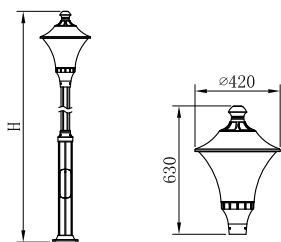


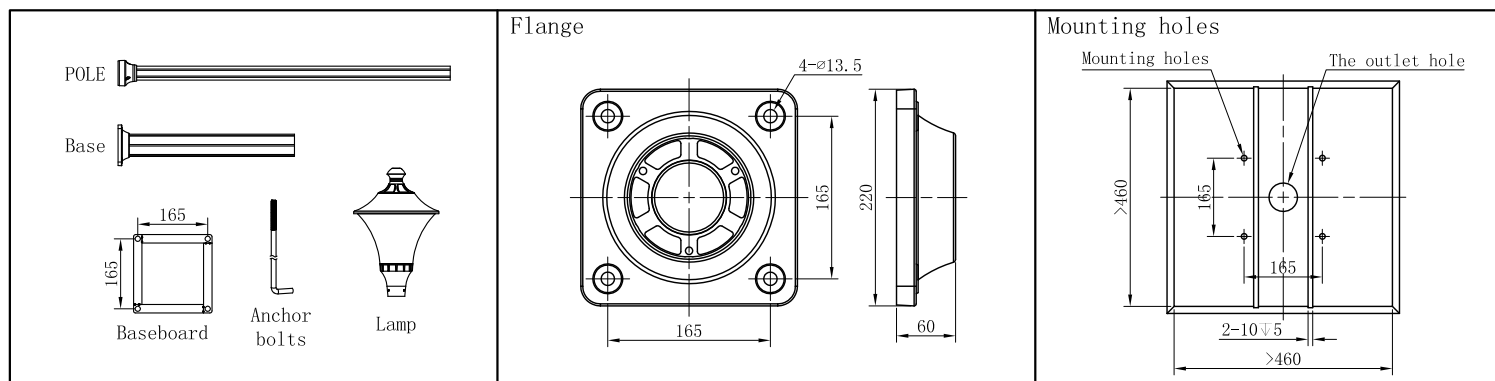
Mounting Instruction

Product Parameters



1. Model: 5008
2. Pole Len: T-00H3-H
3. Rated Voltage: AC 120-240V
4. Rated Power: LED 36W 48W 60W
5. IP Grade: IP65
6. Insulation protection level: Class I
7. Operating Temperature: $-30\sim+45^{\circ}\text{C}$

Components and Tools



Installation Steps

<p>A</p> <p>Recessed Box</p> <p>Drain pipe (2-10*5)</p> <p>Concrete Dinas Sand Soil</p> <p>Wiring pipe</p> <p>IP65</p> <p>$H \geq 700\text{mm}$ $D > 460\text{mm}$</p> <p>OFF</p> <p>▲ The depth of foundation pit shall be determined by digging to the original soil. In case of backfill, the recessed box can be embedded only after water injection and settlement. ▲ After the recessed box are embedded for 72H (3 days), shall the lamp be mounted only when the concrete is completely solidified.</p>	<p>B</p>	<p>C</p>
<p>D</p> <p>OFF</p> <p>▲ Please be sure to fasten tightly of the flange.</p>	<p>E</p> <p>▲ Wiring must be operated in accordance with construction specifications.</p>	<p>F</p> <p>G</p> <p>ON</p> <p>▲ Connect the power supply, and light up the lamp.</p>

Attention

1. Lamp should be installed by professional electrician;
2. The light source contained in this luminaire shall only be replaced by the manufacturer or his service agent or a similar qualified person;
3. Check the power switch has been turned off;
4. Please read this user guide carefully before installation and keep for future reference;
5. If the external flexible cable or cord of this luminaire is damaged, it shall be exclusively replaced by the manufacturer or his service agent or a similar qualified person in order to avoid a hazard.