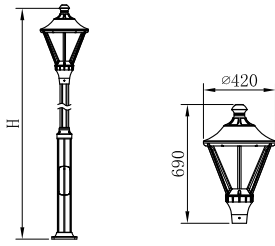


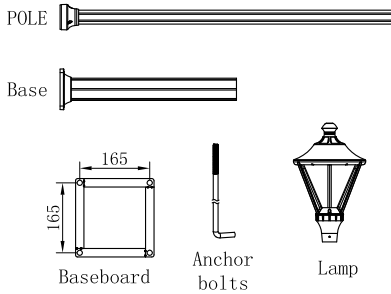
Mounting Instruction

Product Parameters

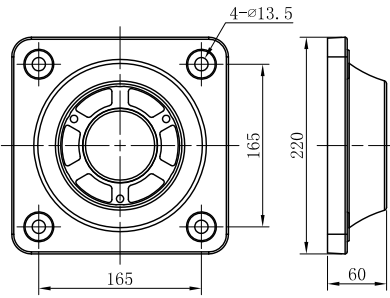


1. Model: 015016
2. Pole Lten:T-00H3-H
3. Rated Voltage: AC 120-240V
4. Rated Power: LED 36W 48W 60W
5. IP Grade: IP65
6. Insulation protection level: Class I
7. Operating Temperature: -30~+45°C

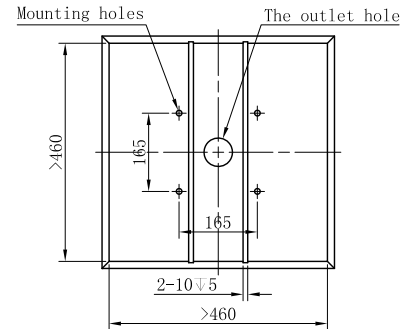
Components and Tools



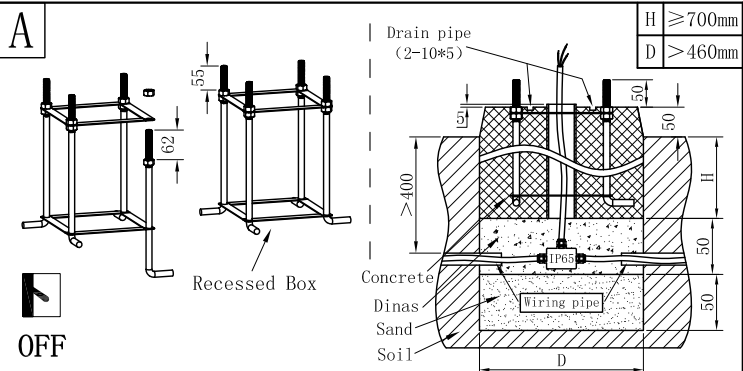
Flange



Mounting holes

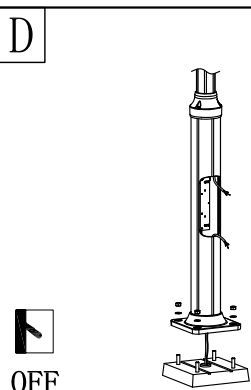
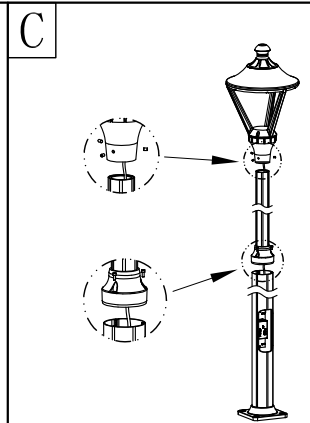
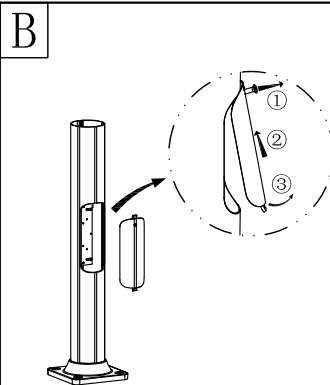


Installation Steps



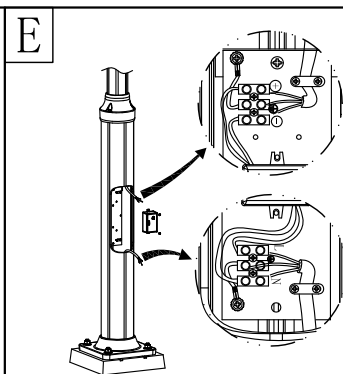
OFF

- ▲ The depth of foundation pit shall be determined by digging to the original soil. In case of backfill, the recessed box can be embedded only after water injection and settlement.
- ▲ After the recessed box are embedded for 72H (3 days), shall the lamp be mounted only when the concrete is completely solidified.

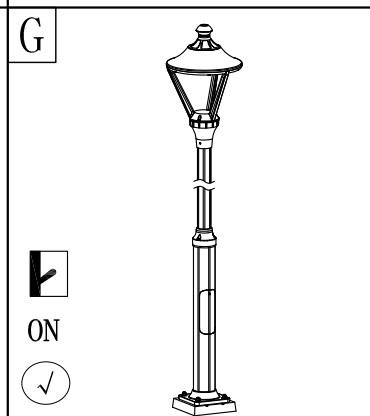
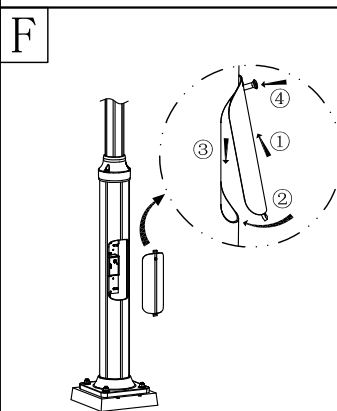


OFF

- ▲ Please be sure to fasten tightly of the flange.



- ▲ Wiring must be operated in accordance with construction specifications.



ON



- ▲ Connect the power supply, and light up the lamp.

Attention

1. Lamp should be installed by professional electrician;
2. The light source contained in this luminaire shall only be replaced by the manufacturer or his service agent or a similar qualified person;
3. Check the power switch has been turned off;
4. Please read this user guide carefully before installation and keep for future reference;
5. If the external flexible cable or cord of this luminaire is damaged, it shall be exclusively replaced by the manufacturer or his service agent or a similar qualified person in order to avoid a hazard.