



SERIE: INKA

REF. T-005009-48W

Descripción

Collection of LED outdoor street lights, equipped with high performance light emitting diode. Body made of aluminum injection, diffuser in PC. Protection against the penetration of solid and liquid particles. Allows its installation outdoors. Pre-wired luminaire

Colección de farolas de exterior LED, equipados con diodo emisor de luz de alto rendimiento. Cuerpo fabricado en inyección de aluminio, difusor en PC. Protección contra la penetración de partículas sólidas y líquidas. Permite su instalación al aire libre. Luminaria precableada

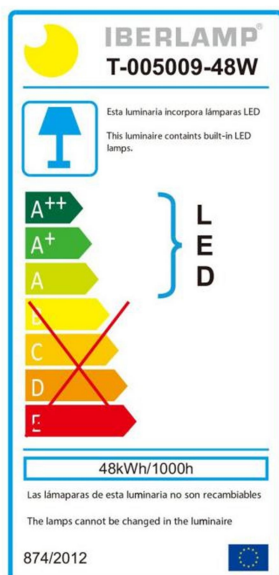


FINISHES AVAILABLE

DARK GREY

MATT BLACK

ENERGY EFFICIENCY



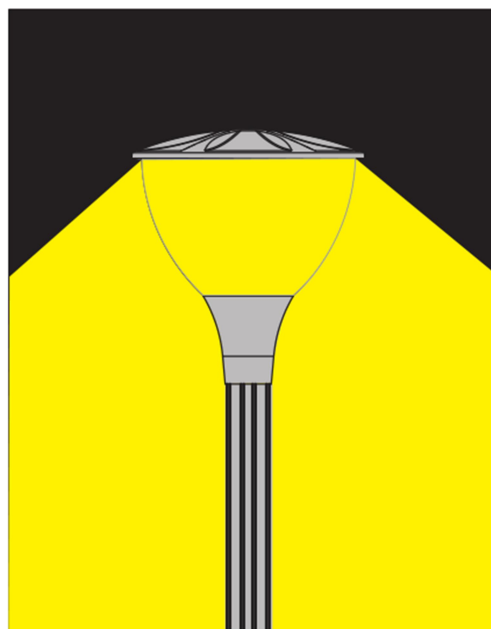
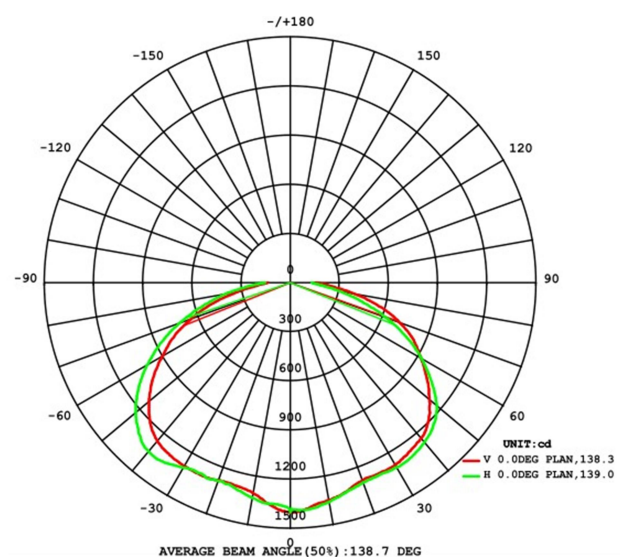
TECHNICAL DATA SHEET

Application	SURFACE
IP Rating	IP65
Light source	LED 3030
Wattage	48 W
Chip Brand	OSRAM
CCT Kelvin	3000 / 4000 / 5000K
Lumen	5000 ± 10%
IF—VF	750 mA—34-80V
C.R.I	≥ 80
SDCM	≤ 5
IK	08
Beam Angle	138 °
Input Voltage - Frequency	100-240V ~ 50/60Hz
Electrical Classification	I
Lifespan	25000h. L70B50
Driver	Inside - Included
Power Factor:	0.9
Power Efficiency	89%
Measure mm	Ø 420 x 460 mm.
Working humidity	10%~90%RH
Weight Kg.	5
Working humidity	-30°~+45°
Lighting distance	10 m
Certificates - Standard	CE - IEC 60598-1/IEC 62031
Warranty years	3
MATERIALES / ACABADOS	
Structure material	High quality aluminum
Diffuser Material	PC
Structure finishing	Anti - UV powder coating finish
Diffuser finishing	Frosted

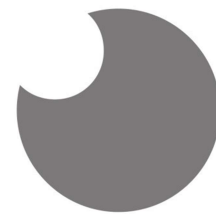
IBERLAMP reserves the right to carry out the appropriate technical modifications in order to improve the performance of the product. We recommend consulting with the sales team to clarify any doubts.

Photometric Results

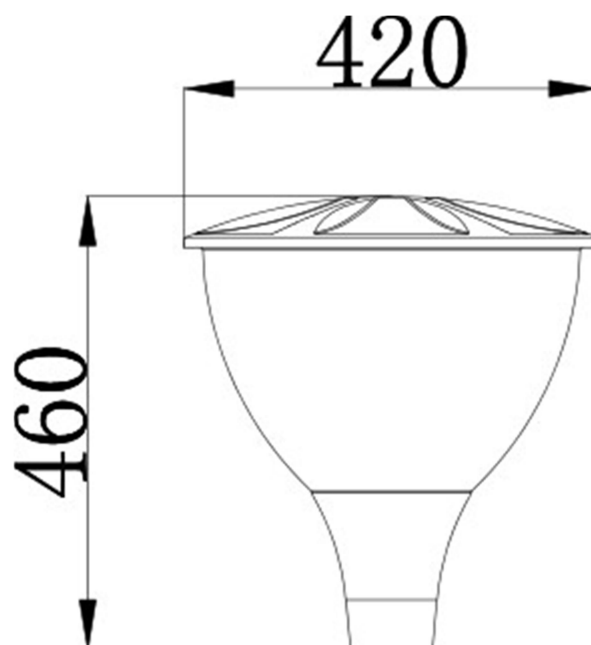
CIE Class:	Direct
Total Rated Lamp Lumens:	5000 lm.
Measurement Flux:	5000 lm.
Efficiency:	89.7 %
Downward Ratio:	89.7%
Upward Ratio:	0.0%
Luminaire Efficiency Rating (LER):	104.2
Central Intensity:	1403 cd.
Max. Intensity:	1403 cd.
Pos. Of Max Intensity:	H-1.0 V0.0
IES File Name	T-005009-48W



The results shown correspond to the production standards. Any modification of these standards may alter the results displayed.



IBERLAMP



IBERLAMP reserves the right to make the necessary technical modifications in order to improve the performance of the product.

We recommend consulting with the commercial team to answer any questions.