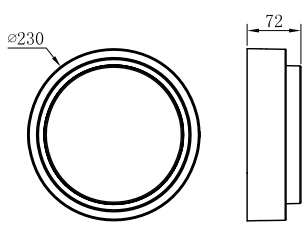
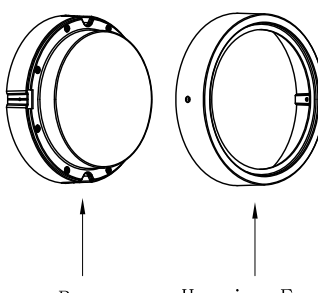
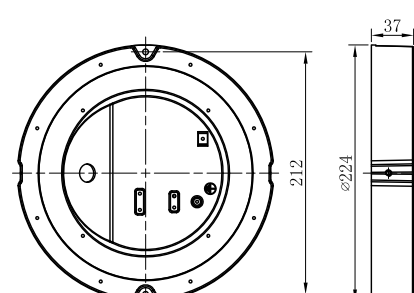
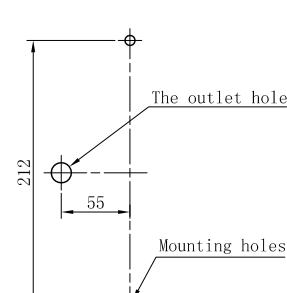


Mounting Instruction

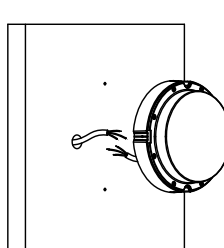
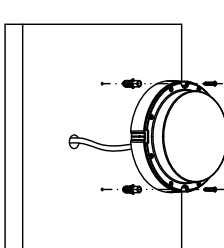
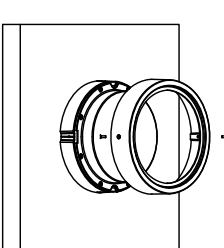
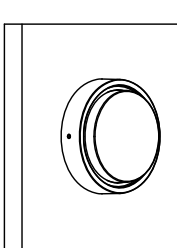
Product Parameters

	<ol style="list-style-type: none"> 1. Model: 3076 2. Rated Voltage: AC 100-240V 3. Rated Power: LED 12W 4. IP Grade: IP65 5. Insulation protection level: Class I 6. Operating Temperature: $-30\sim+45^{\circ}\text{C}$
---	---

Components and Tools

 <p>Base Housing Form</p>	<p>Base</p> 	<p>Mounting holes</p>  <p>The outlet hole</p> <p>Mounting holes</p>
---	--	--

Installation Steps

<p>A</p>  <p>OFF</p> <p>▲ Wiring must be operated in accordance with construction specifications.</p>	<p>B</p>  <p>▲ Please be sure to fasten tightly of the base.</p>	<p>C</p>  <p>▲ Make sure the screws be fixed tightly.</p>	<p>D</p>  <p>ON</p> <p>▲ Connect the power supply, and light up the lamp.</p>
<p>E</p>	<p>F</p>	<p>G</p>	<p>H</p>

Attention

1. Lamp should be installed by professional electrician;
2. The light source contained in this luminaire shall only be replaced by the manufacturer or his service agent or a similar qualified person;
3. Check the power switch has been turned off;
4. Please read this user guide carefully before installation and keep for future reference;
5. If the external flexible cable or cord of this luminaire is damaged, it shall be exclusively replaced by the manufacturer or his service agent or a similar qualified person in order to avoid a hazard.