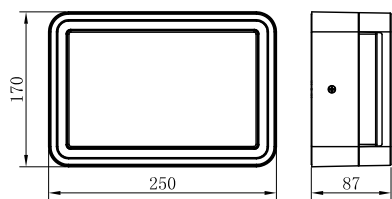


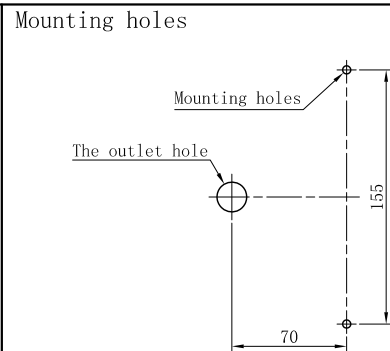
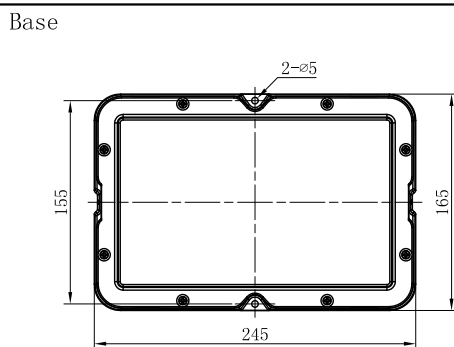
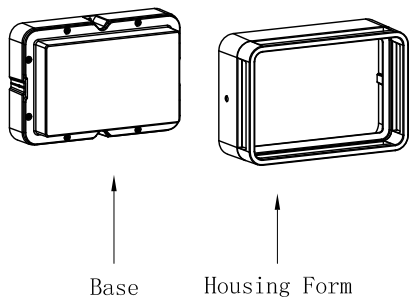
# Mounting Instruction

## Product Parameters

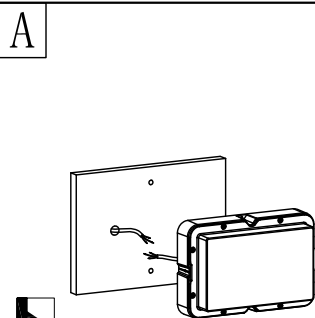


1. Model: 023065
2. Rated Voltage: AC 100-240V
3. Rated Power: LED 12W
4. IP Grade: IP65
5. Insulation protection level: Class I
6. Operating Temperature: -30~+45°C

## Components and Tools

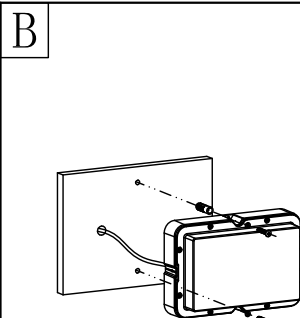


## Installation Steps

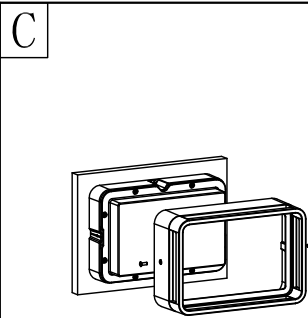


OFF

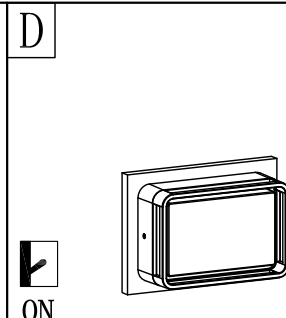
▲ Wiring must be operated in accordance with construction specifications.



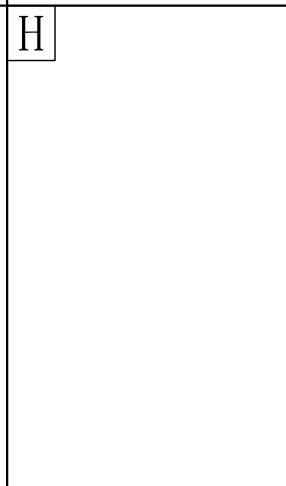
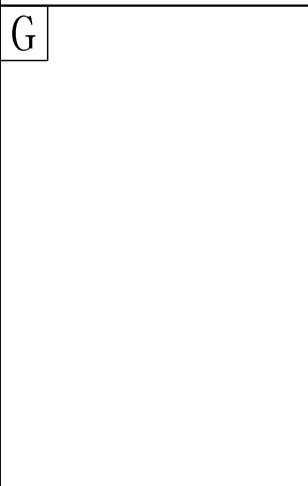
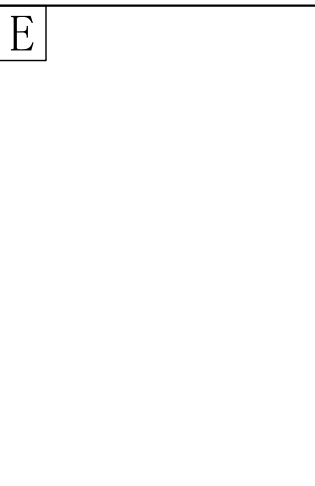
▲ Please be sure to fasten tightly of the base.



▲ Make sure the screws be fixed tightly.



▲ Connect the power supply, and light up the lamp.



## Notes:

1. Read this manual of instructions carefully before installation and keep it for future reference;
2. The lamps should be installed or repaired by professional electricians;
3. The light source of this lamp should be replaced by the manufacturer or its service agent or a similarly qualified person;
4. If the external flexible cord of this lamp is damaged, for the sake of avoiding hazard the cord should be replaced by the manufacturer or its service agent or a similarly qualified person;
5. Check the power switch has been turned off before install or repair the lamp.