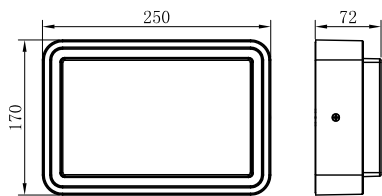


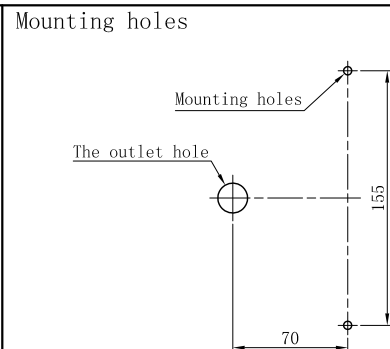
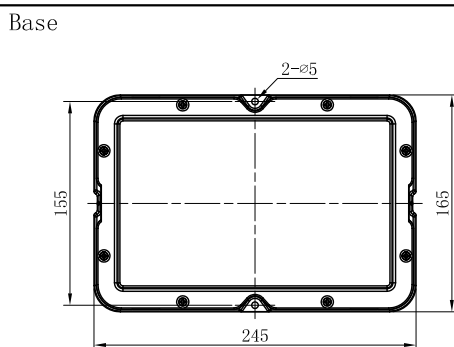
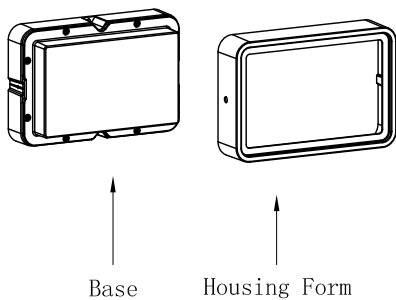
Mounting Instruction

Product Parameters



1. Model: 3065
2. Rated Voltage: AC 100-240V
3. Rated Power: LED 12W
4. IP Grade: IP65
5. Insulation protection level: Class I
6. Operating Temperature: $-30\sim+45^{\circ}\text{C}$

Components and Tools



Installation Steps

<p>A</p> <p>OFF</p> <p>▲ Wiring must be operated in accordance with construction specifications.</p>	<p>B</p> <p>▲ Please be sure to fasten tightly of the base.</p>	<p>C</p> <p>▲ Make sure the screws be fixed tightly.</p>	<p>D</p> <p>ON</p> <p>▲ Connect the power supply, and light up the lamp.</p>
<p>E</p>	<p>F</p>	<p>G</p>	<p>H</p>

Attention

1. Lamp should be installed by professional electrician;
2. The light source contained in this luminaire shall only be replaced by the manufacturer or his service agent or a similar qualified person;
3. Check the power switch has been turned off;
4. Please read this user guide carefully before installation and keep for future reference;
5. If the external flexible cable or cord of this luminaire is damaged, it shall be exclusively replaced by the manufacturer or his service agent or a similar qualified person in order to avoid a hazard.